

# NEXTPRO™

The NEXT Level in product merchandising



Patented

**siffron**®  
always on

800.422.2547 • [www.siffron.com](http://www.siffron.com)



UNIT PRICE  
41.84 PER OZ  
1.2 OZ  
**4.99**  
sale  
**2/\$6**  
\$3 ea  
save 1.99 ea

UNIT PRICE  
43.84 PER OZ  
1.2 OZ  
**4.99**  
sale  
**2/\$6**  
\$3 ea  
save 1.99 ea

UNIT PRICE  
43.84 PER OZ  
1.2 OZ  
**4.99**  
sale  
**2/\$6**  
\$3 ea  
save 1.99 ea

Reduce labor  
and improve  
merchandising  
efficiencies

4.69

4.69

4.49

4.49

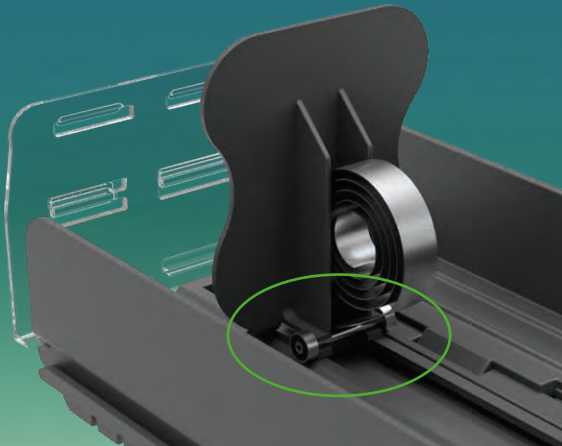
# Merchandise like a PRO!

NEXT PRO™ removes the obstacles to product facing



## Bearing Pusher

Patented bearing pusher works by eliminating friction that occurs when pushers encounter contaminants



NEXT PRO™ provides best-in-class performance for merchandising throughout the retail environment. It has been specifically designed to address why other systems fail in facing and organizing merchandise.

NEXT PRO has unique features that differentiate it and provide labor-saving benefits. Many of the NEXT PRO trays feature a pullout design for easy loading and reloading of products to maintain first-in, first-out stock rotation.

It is also designed to maximize space and product pack-out while reducing touch points that can damage product packaging. The system's flexibility means it can go anywhere and face almost anything.

With typical pushers, performance declines as racking becomes contaminated by food residue and debris. Over time, traditional pushers begin to stick, causing them to malfunction or break. When pushers don't work, stores may suffer lost

sales from empty-looking shelves and poor customer experience.

We have created the most durable pusher in the market utilizing a bearing pusher. It allows the paddle to roll over any shelf contaminants and maintains performance integrity. This has been tested on over 30,000 machine pushes on a non-lubricated tray - the equivalent of restocking that same tray ten times a day for over seven years.

# NEXTPRO™ SaladRack™ Shelf Tray

## Description:

Front facing shelf system for perishables

## Dimensions:

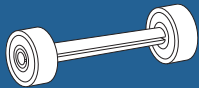
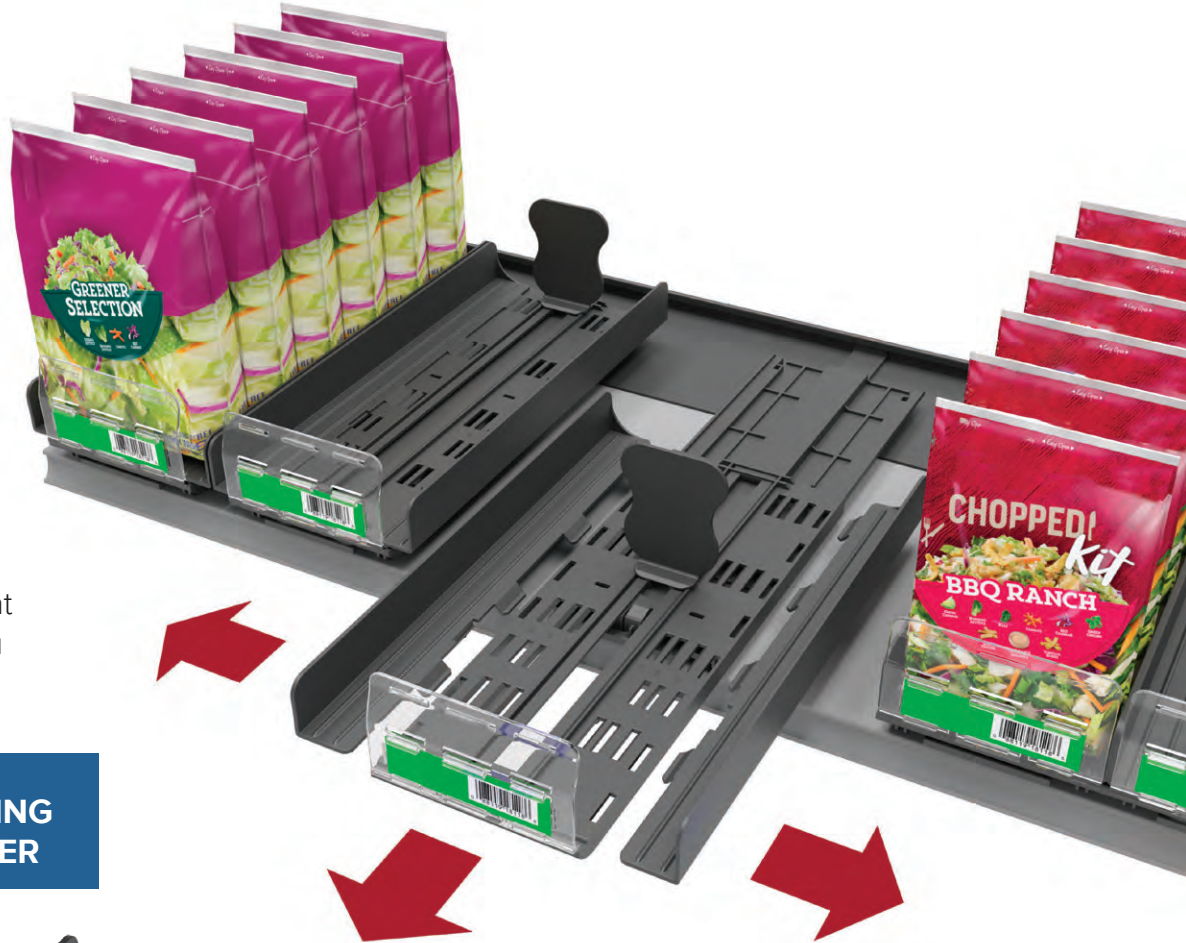
Fits virtually all refrigerated cases

5 Depths available from 13" to 22" to cover all refrigerated shelves

Adjustable width range 6" to 8"

## Categories:

Bagged salads, ready to eat bowls, cut veg, snacks, tofu



**BEARING  
PUSHER**



## Points of Difference

- Only system to offer pull-out rotation functionality on the shelf
- Patented bearing pusher keeps working like new after cleanings
- Locking adjustable sidewalls will keep your planogram fixed in place
- Patented Shelf Clamp mounting system installs quickly and securely onto existing shelves

# NEXTPRO™ SaladRack™

Grid Tray

## Description:

Front facing grid system for perishables

## Dimensions:

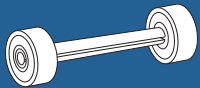
Fits virtually all refrigerated cases

5 Depths available from 13" to 22" to cover all refrigerated shelves

Adjustable width range 6" to 8"

## Categories:

Bagged salads, ready to eat bowls, cut veg, snacks, tofu, pre-packaged deli meats



**BEARING  
PUSHER**

## Points of Difference

- Locking, adjustable sidewalls will keep your planogram fixed in place
- Drawer style pullout with stay back pusher for faster rotation
- Patented bearing pusher keeps working like new after cleanings
- Maximizes vertical space
- Provides the ability to create nonlinear planograms



# NEXTPRO™ HerbRack™

**Description:**

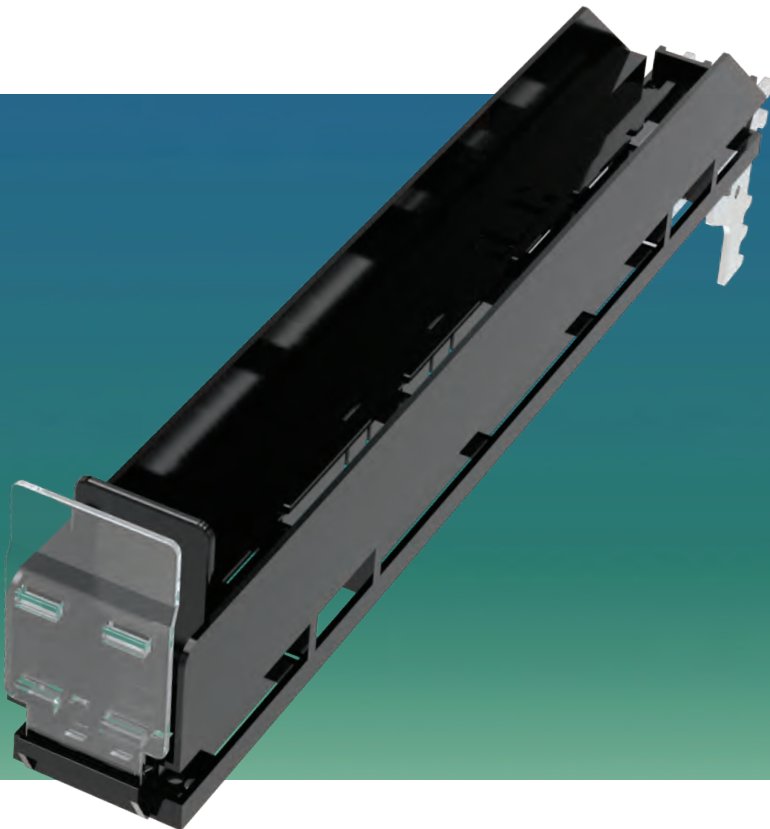
Front facing system for packaged herbs

**Dimensions:**

15.75" depth; width 2-4"

**Categories:**

Fresh packaged herbs, tubes, lightly dried tubs



## Points of Difference

- Width adjusts to accommodate all standard herb product packages
- Easily set on existing shelf; secured by magnets
- Modular trays allow custom planograms
- Grid option available

# NEXTPRO™ SaladRack™ Well Tray

**Description:**

Front facing system  
for family-sized bagged salad

**Dimensions:**

24" Depth, 5" - 11.5" Wide

**Categories:**

Family-sized bagged salad



## Points of Difference

- Adjustable-width sidewalls fit all family size bags
- Better produce presentation in the well



# NEXTPRO™ Freezer Rack™

## Description:

Front facing, adjustable freezer solution

## Dimensions:

Available in 22" and 24" depths; width range 5"-11.5"

## Categories:

Dinner & entree, vegetables, poultry, fish, pasta, breakfast, snacks, ice cream novelties, potatoes, fruit, meal starters, personal pizza, natural & organic, seafood, meat, meatless



## Points of Difference

- Proven 67% overall labor reduction in major retailer study; 9-10 month ROI
- Fast reset system
- Space-efficient; maximizes pack out and SKU count
- Accommodates 98% of frozen SKUs
- Extended divider walls for tall bags and bulky product



# NEXTPRO™ PizzaRack™

## Description:

Front facing, adjustable freezer solution for pizza

## Dimensions:

Available in 22” and 24” depths; width range 10.5” – 13.5”

## Categories:

Boxed pizza, pizza rounds, family size entrees



## Points of Difference

- Proven 67% overall labor reduction in major retailer study; 9-10 month ROI
- Fast reset system
- Space-efficient; maximizes pack out and SKU count
- Extended divider walls for pizza rounds



# NEXTPRO™ MultiRack™

**Description:**

Front facing, width and depth adjustable tray

**Dimensions:**

Width 6"-9";  
depth 16"-22"

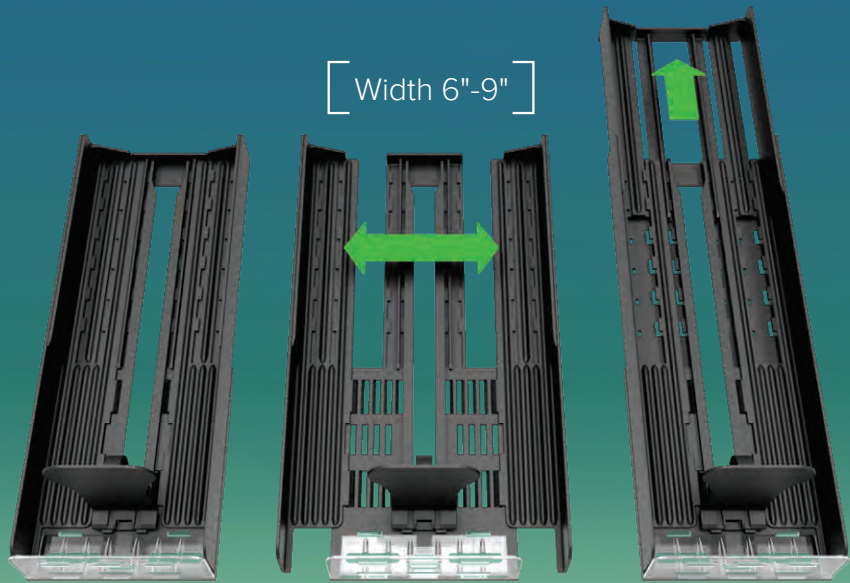
**Categories:**

Crackers, salty snacks, granola/ snack bars, baking mixes, ready to bake cookies, meat snacks, boxed hot cereal, boxed dinner kits, boxed pasta, bagged pasta



[Depth 16"-22"]

[Width 6"-9"]



## Points of Difference

- No need to measure shelves; universal fit on any shelf 16-22" deep
- One display covers multiple categories
- Can be used to spot merchandise or in a series
- Attaches to shelves with push pins
- Lens has graphic holder for optional branding

# NEXTPRO™ FreshRack™ Shelf & Grid Tray

## Description:

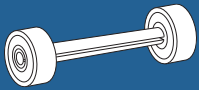
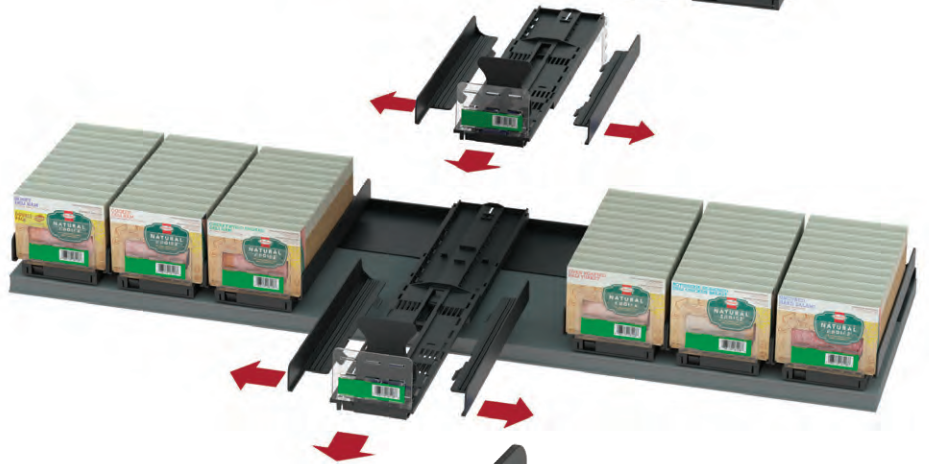
Front facing system for packaged meats and cheese

## Dimensions:

Width adjustable 5"-8"; fits shelves 16"-22"

## Categories:

Packaged lunch meats, lunchables, time saver entrees, hot dogs, sausages, shredded cheese, lunch meat tubs



**BEARING  
PUSHER**

## Points of Difference

- Grid and shelf option available
- Patented bearing pusher keeps working like new after cleaning/sanitizing
- Adjustable, locking sidewalls keep your planogram fixed in place
- Only system to offer pull-out rotation functionality on the shelf
- Grid option allows for nonlinear planograms



# NEXTPRO™ FreshRack™

## 2-Lane Grid and Shelf Tray for Handhelds

### Description:

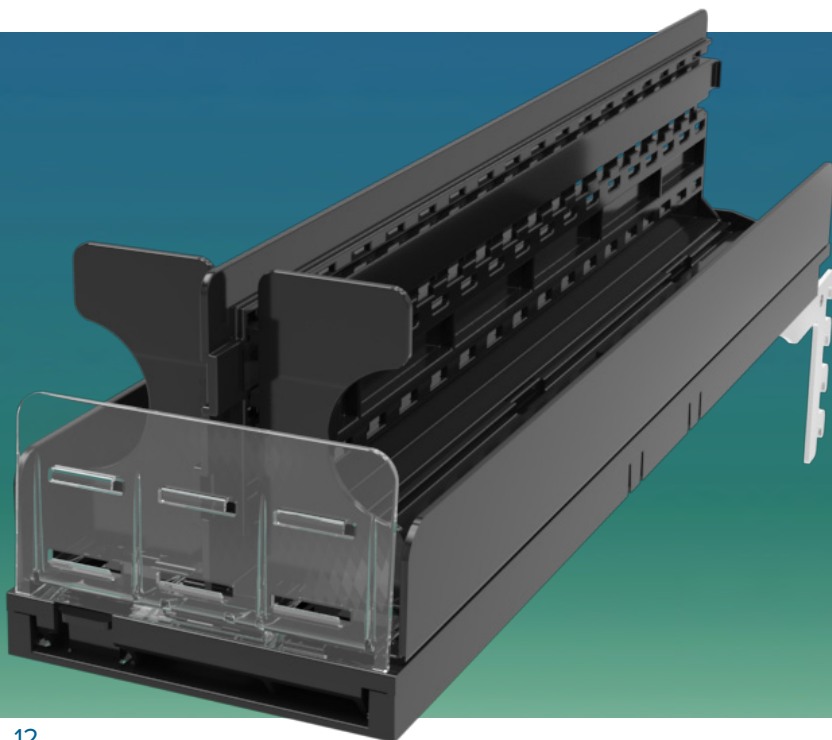
Front facing, width and depth adjustable tray

### Dimensions:

Width 2.43"-3.77";  
depth 14"-22"

### Categories:

Handheld and travel meals



## Points of Difference

- Grid and shelf option available
- One display covers multiple categories
- Each tray displays two product facings
- Lens has graphic holder for optional branding

# NEXTPRO™ FreshRack™

## 2-Lane Shelf Tray for Dressing

### Description:

Front facing, width and depth adjustable tray

### Dimensions:

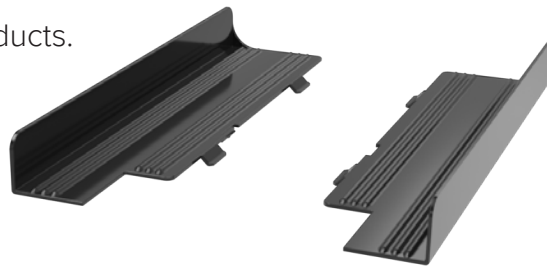
Width adjustable 2.43"-3.77";  
fits shelves 18"-22"

### Categories:

Salad dressing

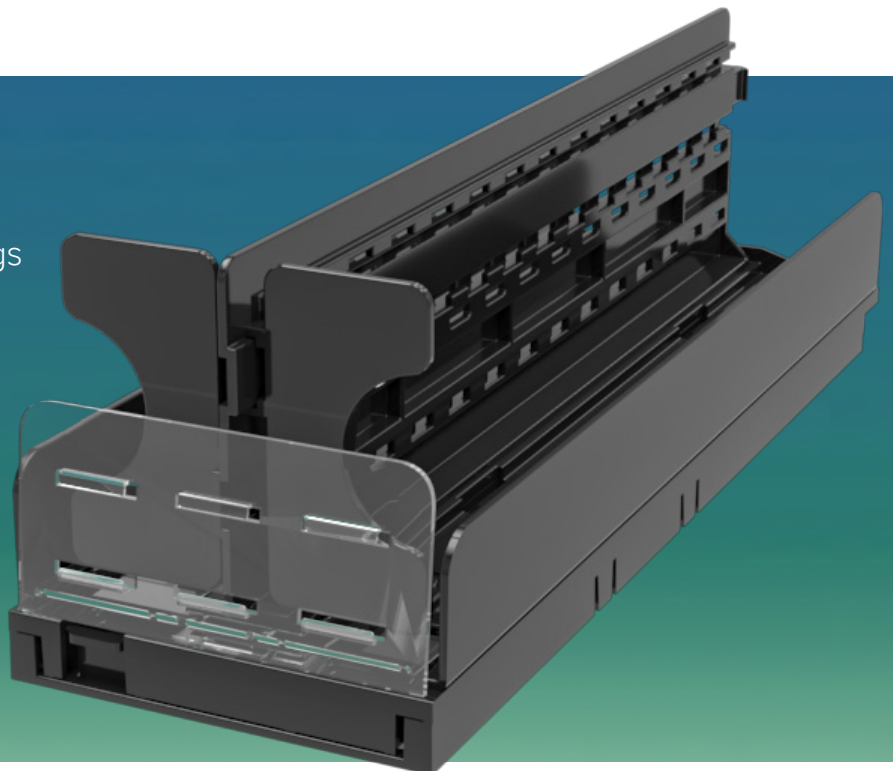


Wide Wall kits available for larger products.  
Width extended to 3.86" - 5.20"



## Points of Difference

- Each tray displays two product facings
- Lens has graphic holder for optional branding
- Extended divider walls for wider products
- Lens has graphic holder for optional branding



# NEXTPRO™ StackedCanRack™

**Description:**

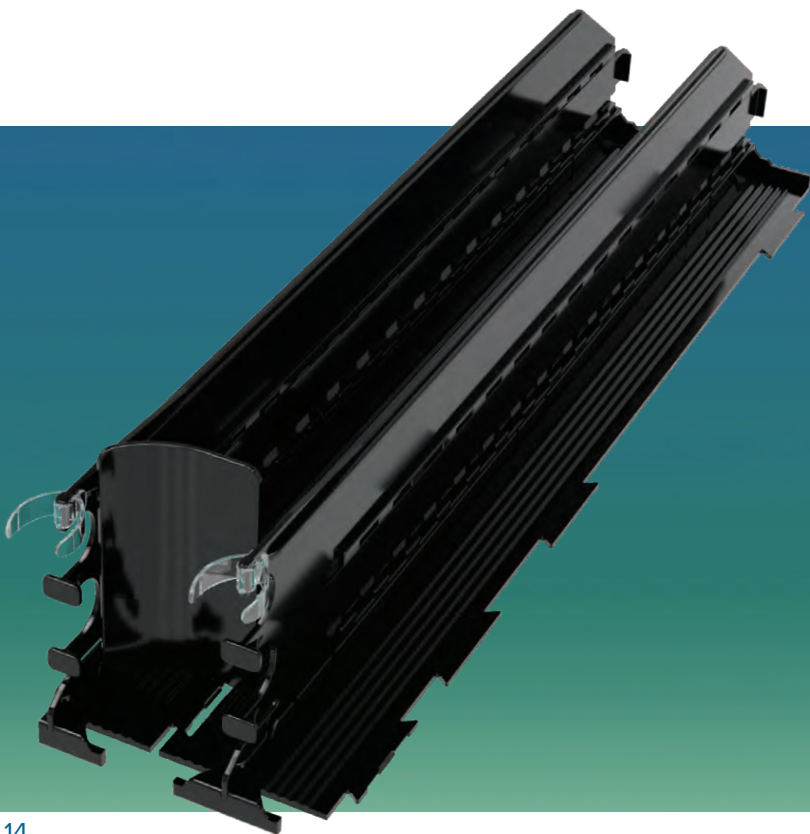
Front facing system  
for stacked cans

**Dimensions:**

Narrow (3 oz. cans),  
wide (5.5oz cans);  
depth 22"

**Categories:**

Canned cat food



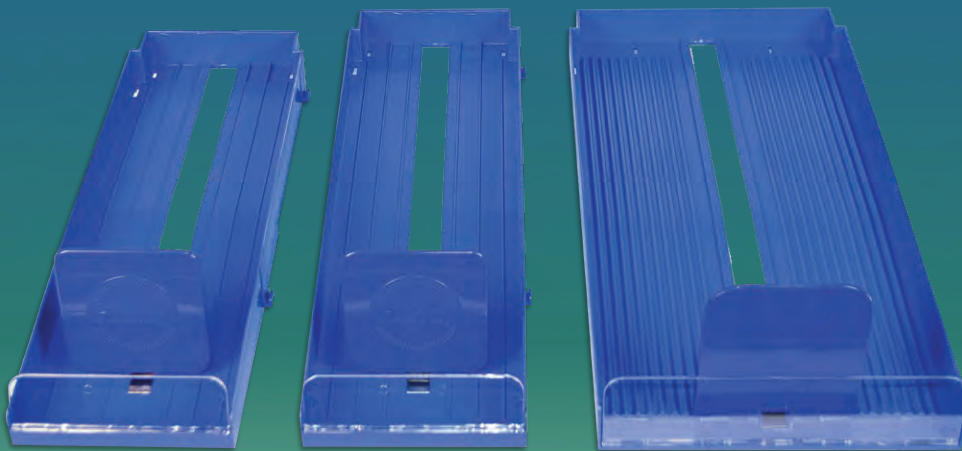
## Points of Difference

- Full-depth pusher: Achieve case-plus pack-out
- Space efficient floor allows for stacks up to four high
- Units can be placed individually where planogram demands
- Easy to shop and stock, simple to reset

# Custom Solutions

## Hormel® Compleats Double Stack

- Engineered to fit specific package that does not stand well on its own
- Double stack design allows retailer to double the SKU offering on one shelf
- Keeps product front faced



## Ready to Bake Cookie Tray

- Engineered for specific package that could not stand up on its own
- Engineered to work on dairy shelves and StarTrak shelving
- Keeps product front faced
- Locks in shelf space

## Pringles 3000

**5-9%** sales lift using pusher system

**12-18%** sales lift using gravity-feed system



# Product Listing

SaladRack™ Grid Details					
Item#	Description	Depth	Width	Finish	Pack
<b>Grid Trays</b>					
4858990502	13" SaladRack Grid Trays	13"	6" - 8"	Black	6
4851185008	15" SaladRack Grid Trays	15"	6" - 8"	Black	6
4853215785	17" SaladRack Grid Trays	17"	6" - 8"	Black	6
4854767928	19" SaladRack Grid Trays	19"	6" - 8"	Black	6
4858288246	21" SaladRack Grid Trays	21"	6" - 8"	Black	6
<b>Grids</b>					
4853302256	48" Wire Grids	n/a	48" W x 24" H	Black	2
4851048517	36" Wire Grids	n/a	36" W x 24" H	Black	2
4859865706	30" Wire Grids	n/a	30" W x 24" H	Black	2
4854357442	Short Wire Grids	n/a	(1) 48" W x 24" H/ (1) 48" W x 12.5" H	Black	2
4858393652	48" HD Wire Grids	n/a	48" W x 24" H	Black	2
4857692805	36" HD Wire Grids	n/a	36" W x 24" H	Black	2
4853974953	30" HD Wire Grids	n/a	30" W x 24" H	Black	2
4858103738	Short HD Wire Grids	n/a	(1) 48" W x 24" H/ (1) 48" W x 12.5" H	Black	2
<b>Baffle System</b>					
4856525459	Baffle System	works with 13"-21" trays	48" W	Black	8

SaladRack™ Shelf Details					
Item#	Description	Depth	Width	Finish	Pack
<b>Shelf Trays</b>					
4858907679	13" SaladRack Shelf Trays	13" (Fits Shelves 13"-14"D)	6" - 8"	Black	12
4853167675	15" SaladRack Shelf Trays	15" (Fits Shelves 15"-16"D)	6" - 8"	Black	12
4854273219	17" SaladRack Shelf Trays	17" (Fits Shelves 17"-22"D)	6" - 8"	Black	12
4852908350	19" SaladRack Shelf Trays	19" (Fits Shelves 19"-24"D)	6" - 8"	Black	12
4859149655	21" SaladRack Shelf Trays	21" (Fits Shelves 21"-26"D)	6" - 8"	Black	12
<b>Back Channels</b>					
4853694533	48" Standard Back Channels	5"	48"	Black	5
4853919384	36" Standard Back Channels	5"	36"	Black	5
4858749023	30" Standard Back Channels	5"	30"	Black	5
<b>Well Dividers</b>					
4103142188	Well Divider Kit	27"	3.75" W x 3.75" H	Black	12 Dividers 4 Front Rails



# Product Listing

FreezerRack™ Details					
Item#	Description	Depth	Width	Finish	Pack
<b>22" FreezerRack -White</b>					
4853605480	22" FreezerRack Trays	22"	5"-11.5"	White	16
4851840220	22" FreezerRack End Walls	22"	n/a	White	10
<b>22" FreezerRack-Black</b>					
4850684560	22" FreezerRack Trays	22"	5"-11.5"	Black	16
4858222880	22" FreezerRack End Walls	22"	n/a	Black	10
<b>24" FreezerRack-White</b>					
4859758293	24" FreezerRack Trays	24"	5"-11.5"	White	16
4852596096	24" FreezerRack End Walls	24"	n/a	White	10
<b>24" FreezerRack-Black</b>					
4858427256	24" FreezerRack Trays	24"	5"-11.5"	Black	16
4854096431	24" FreezerRack End Walls	24"	n/a	Black	10
<b>Accessories</b>					
4851451951	Extended Divider Walls	22"	n/a	White	24
4851031810	Extended Divider Walls	22"	n/a	Black	24

PizzaRack™ Details					
Item#	Description	Depth	Width	Finish	Pack
<b>22" PizzaRack-White</b>					
4856246246	22" PizzaRack Trays	22"	10.5"-13"	White	8
4856867570	22" PizzaRack End Walls	22"	n/a	White	12
<b>22" PizzaRack-Black</b>					
4853370189	22" PizzaRack Trays	22"	10.5"-13"	Black	8
4852352994	22" PizzaRack End Walls	22"	n/a	Black	12
<b>24" PizzaRack-White</b>					
4854087535	24" PizzaRack Trays	24"	10.5"-13"	White	8
4858603766	24" PizzaRack End Walls	24"	n/a	White	12
<b>24" PizzaRack-Black</b>					
4853240388	24" PizzaRack Trays	24"	10.5"-13"	Black	8
4855481980	24" PizzaRack End Walls	24"	n/a	Black	12

# Product Listing

## FreshRack™ Shelf Details

Item#	Description	Depth	Width	Finish	Pack
4854093354	14" FreshRack Shelf Trays	14"	5.19"-8.09"	Black	12
4853021818	14" Heavy Spring FreshRack Shelf Trays	14"	5.19"-8.09"	Black	12
4858031874	18" FreshRack Shelf Trays	18"	5.19"-8.09"	Black	12
4855153559	18" Heavy Spring FreshRack Shelf Trays	18"	5.19"-8.09"	Black	12
4854849544	20" FreshRack Shelf Trays	20"	5.19"-8.09"	Black	12
4858069873	20" Heavy Spring FreshRack Shelf Trays	20"	5.19"-8.09"	Black	12
4853664356	22" FreshRack Shelf Trays	22"	5.19"-8.09"	Black	12
4857078261	22" Heavy Spring FreshRack Shelf Trays	22"	5.19"-8.09"	Black	12

### Back Channels

4853694533	Standard Back Channel Carton	5"	48"	Black	5
------------	------------------------------	----	-----	-------	---

### Well Dividers

4103142188	Well Divider Kit	27"	3.75"Wx3.75"H	Black	12 Dividers 4 Front Rails
------------	------------------	-----	---------------	-------	------------------------------

## FreshRack™ Grid Details

Item#	Description	Depth	Width	Finish	Pack
4856984971	14" FreshRack Grid Trays	14"	5.19"-8.09"	Black	6
4855776709	14" Heavy Spring FreshRack Grid Trays	14"	5.19"-8.09"	Black	6
4850292345	18" FreshRack Grid Trays	18"	5.19"-8.09"	Black	6
4850259648	18" Heavy Spring FreshRack Grid Trays	18"	5.19"-8.09"	Black	6
485526529	20" FreshRack Grid Trays	20"	5.19"-8.09"	Black	6
4856817510	20" Heavy Spring FreshRack Grid Trays	20"	5.19"-8.09"	Black	6
4854500681	22" FreshRack Grid Trays	22"	5.19"-8.09"	Black	6
4851294692	22" Heavy Spring FreshRack Grid Trays	22"	5.19"-8.09"	Black	6

### Accessories

7113332089	14" FreshRack Grid Pegs	14"	n/a	Black	6
7119566529	18" FreshRack Grid Pegs	18"	n/a	Black	6
7114908137	20" FreshRack Grid Pegs	20"	n/a	Black	6
7110648169	22" FreshRack Grid Pegs	22"	n/a	Black	6

## FreshRack™ Bacon Shelf Details

Item#	Description	Depth	Width	Finish	Pack
4855850809	14" FreshRack Bacon Trays with wide walls	14"	9.19"-12.09"	Black	8
4850580768	18" FreshRack Bacon Trays with wide walls	18"	9.19"-12.09"	Black	8
4854997277	20" FreshRack Bacon Trays with wide walls	20"	9.19"-12.09"	Black	8
4852134859	22" FreshRack Bacon Trays with wide walls	22"	9.19"-12.09"	Black	8

### Back Channel

4853694533	Standard Back Channel Carton	5"	48"	Black	5
------------	------------------------------	----	-----	-------	---

### Well Dividers

4103142188	Well Divider Kit	27"	3.75"Wx3.75"H	Black	12 Dividers 4 Front Rails
------------	------------------	-----	---------------	-------	------------------------------

## FreshRack™ Bacon Grid Details

Item#	Description	Depth	Width	Finish	Pack
4852782244	14" FreshRack Bacon Grid Trays w/ wide walls	14"	9.19"-12.09"	Black	6
4854291367	18" FreshRack Bacon Grid Trays w/ wide walls	18"	9.19"-12.09"	Black	6
4855210339	20" FreshRack Bacon Grid Trays w/ wide walls	20"	9.19"-12.09"	Black	6

### Grids

4850749709	Wire Grid	18"	48"	Black	1
4858439739	Wire Grid	8"	48"	Black	1
4858018927	Wire Grid	18"	30"	Black	1
4858555164	Wire Grid	8"	30"	Black	1

# Product Listing

## FreshRack™ 2 Lane Shelf Details

Item#	Description	Depth	Width	Finish	Pack
4851808827	14" FreshRack 2 Lane Shelf Trays	14"	2.43"-3.77"	Black	6
4857880433	18" FreshRack 2 Lane Shelf Trays	18"	2.43"-3.77"	Black	6
4858033726	20" FreshRack 2 Lane Shelf Trays	20"	2.43"-3.77"	Black	6
4858009829	22" FreshRack 2 Lane Shelf Trays	22"	2.43"-3.77"	Black	6

### Back Channels

4853694533	Standard Back Channel Carton	5"	48"	Black	5
------------	------------------------------	----	-----	-------	---

## FreshRack™ 2 Lane Grid Details

Item#	Description	Depth	Width	Finish	Pack
4857340657	14" FreshRack 2 Lane Grid Trays	14"	2.43"-3.77"	Black	6
4853273645	18" FreshRack 2 Lane Grid Trays	18"	2.43"-3.77"	Black	6
4851733521	20" FreshRack 2 Lane Grid Trays	20"	2.43"-3.77"	Black	6
4853187206	22" FreshRack 2 Lane Grid Trays	22"	2.43"-3.77"	Black	6

### Grids

4850749709	Wire Grid	18"	48"	Black	1
4858439739	Wire Grid	8"	48"	Black	1
4858018927	Wire Grid	18"	30"	Black	1
4858555164	Wire Grid	8"	30"	Black	1

## FreshRack™ 2 Lane Dressing Shelf Details

Item#	Description	Depth	Width	Finish	Pack
4850245697	18" FreshRack 2 Lane Shelf Trays	18"	2.43"-3.77"	Black	6
4852162716	22" FreshRack 2 Lane Shelf Trays	22"	2.43"-3.77"	Black	6
4852292676	18" Wide Wall Kit	18"	3.86"-5.20"	Black	6
4857206999	22" Wide Wall Kit	22"	3.86"-5.20"	Black	6

### Back Channels

4853694533	Standard Back Channel Carton	5"	48"	Black	5
------------	------------------------------	----	-----	-------	---

### Well Dividers

4103142188	Well Divider Kit	27"	3.75" W x 3.75" H	Black	12 Dividers 4 Front Rails
------------	------------------	-----	-------------------	-------	------------------------------

## MultiRack™ Details

Item#	Description	Depth	Width	Finish	Pack
4854093354	MultiRack Adjustable Tray	16"-22"	6"-9"	Black	8

## StackedCanRack™ Details

Item#	Description	Depth	Width	Finish	Pack
<b>Shelf Trays</b>					
4853355053	Narrow (3oz. cans) Trays	22"	2.775"	Black	17
4851843476	Wide (5.5oz cans) Trays	22"	3.670"	Black	20
4851659686	End Walls (3LN, 3LW, 6R, 12 clips)	22"	n/a	Black	3LN, 3LW, 6R, 12 clips



8181 Darrow Road  
Twinsburg, OH 44087

# NEXT PRO<sup>TM</sup>

Patented

## Bearing Pusher

Patented bearing pusher works by eliminating friction that occurs when pushers encounter contaminants

## Pull-out trays

Trays extend for easy merchandising and restocking. Paddle stays back to optimize first-in, first out stock rotation

## Many options available

Use NEXT PRO in almost any category of your retail environment

Ordering is easy!

Phone **800.422.2547**  
Fax **800.422.2502**  
Web **www.siffron.com**

call toll free in North America  
fax us your purchase order  
find and buy resources online

